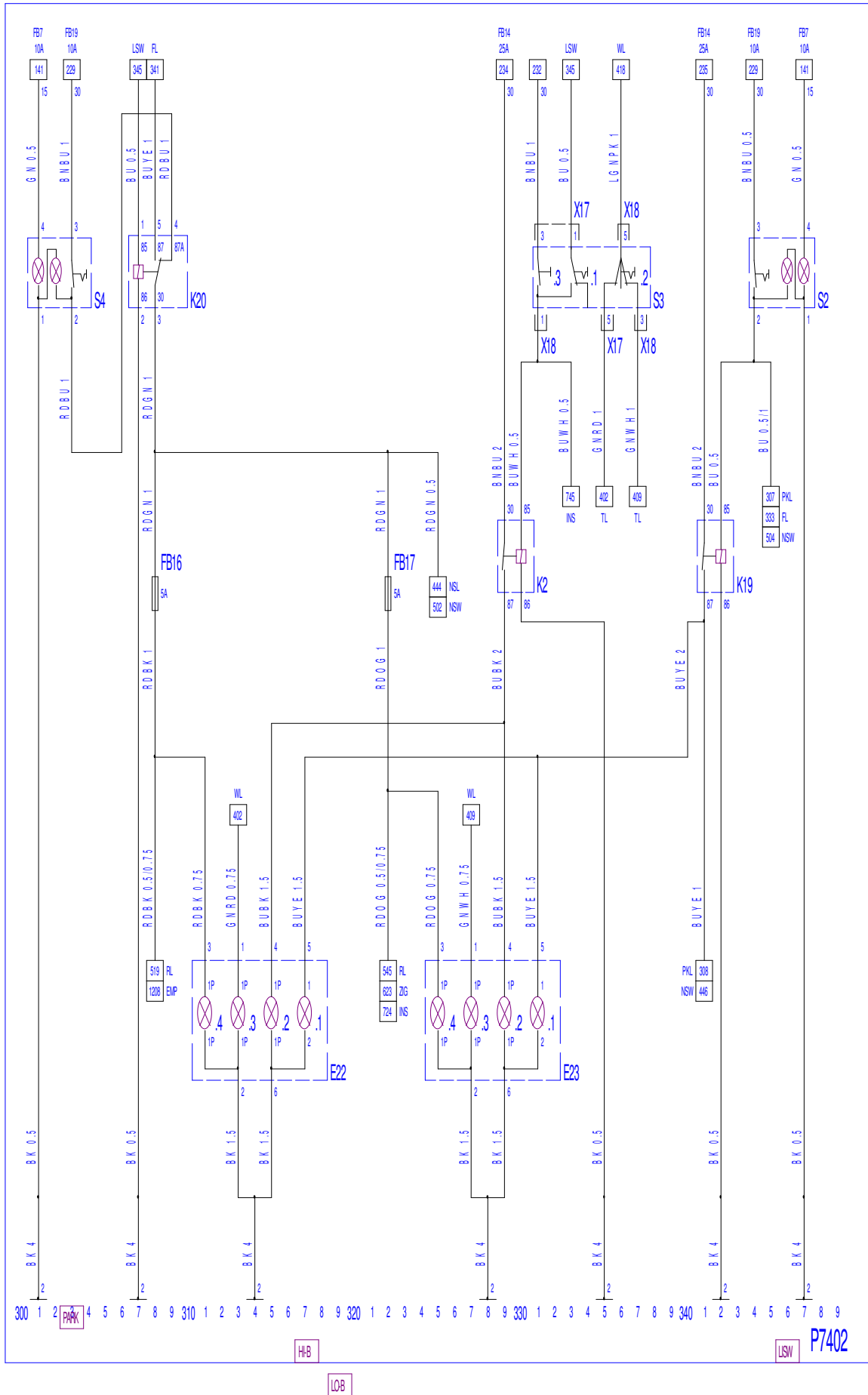




Speedster/VX220, model year 2003



Systems

HI-B	High beam	LO-B	Low beam
LISW	Light switch	PARK	Parking lamps

Components

E22	Headlamp - Left	FB17	Fuse
E22.1	Low beam	K2	Relay - High beam
E22.2	High beam	K19	Relay - Low beam
E22.3	Turn signal lamp	K20	Relay - Parking lamp
E22.4	Parking lamp	S2	Switch unit - Light
E23	Headlamp - Right	S3	Switch unit - Steering column
E23.1	Low beam	S3.1	Switch - High beam
E23.2	High beam	S3.2	Switch - Turn signal
E23.3	Turn signal lamp	S3.3	Switch - Headlamp flash
E23.4	Parking lamp	S4	Switch - Parking lamp
FB16	Fuse		

Grounding Points

2	Battery
---	---------

Abbreviations

10A	10 Ampere	INS	Instrument
15	Ignition voltage	LSW	Light switch
25A	25 Ampere	NSL	Fog lamps, rear
30	Constant voltage	NSW	Fog lamps, front
EMP	Radio	PKL	Parking lamps
FB7	Fuse FB7	RL	Rear Lamps
FB14	Fuse FB14	TL	Turn signal lamps
FB19	Fuse FB19	WL	Hazard warning lamps
FL	Front Lamps	ZIG	Cigarette lighter

Color codes

BK	Black	GN/RD	Green / Red
BN/BU	Brown / Blue	GN/WH	Green / White
BU	Blue	LGN/PK	Light Green / Pink
BU/BK	Blue / Black	RD/BK	Red / Black

BU/WH Blue / White
BU/YE Blue / Yellow
GN Green

RD/BU Red / Blue
RD/GN Red / Green
RD/OG Red / Orange